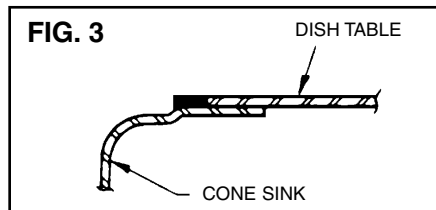
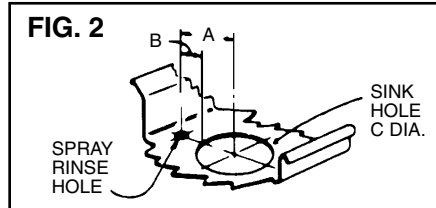
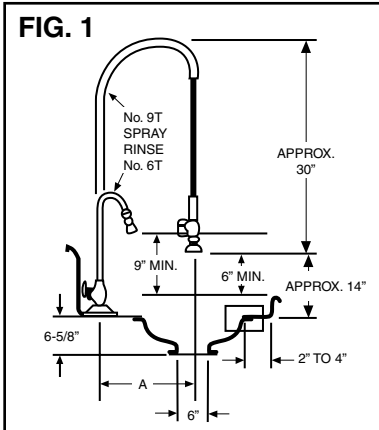


**BEFORE INSTALLING, READ ENTIRE INSTRUCTIONS CAREFULLY.
RISK OF INJURY TO PERSONS FROM HAZARDOUS MOVING PARTS. SERIOUS INJURY POSSIBLE IF
NOT PROPERLY INSTALLED WITH A HOPPER OR A CONE SPECIFIED IN THE INSTRUCTION MANUAL.**



MODEL 6T			
	2216 12" CONE	2215 15" CONE	2211 18" CONE
A	10 1/4"	11 3/4"	13 1/4"
B	3 1/2"	3 1/2"	3 1/2"
C	13 1/2"	16 1/2"	19 1/2"
MODEL 9T			
	2216 12" CONE	2215 15" CONE	2211 18" CONE
A	12 7/8"	12 7/8"	12 7/8"
B	6 1/8"	4 5/8"	3 1/8"
C	13 1/2"	16 1/2"	19 1/2"

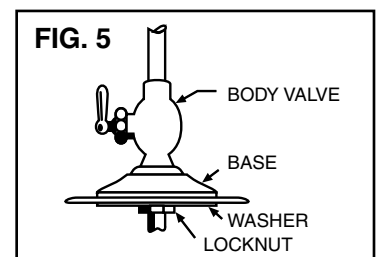
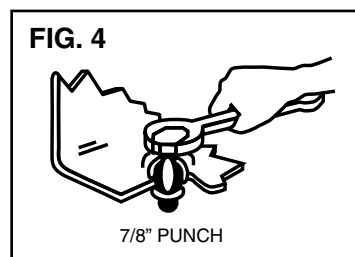
IF YOU ARE REPLACING AN OLD DISPOSER GO TO *MOUNTING DISPOSER*

INSTALLATION OF CONE SINK INTO DISH OR WORKTABLE

1. (See Figures 1 and 2.) Locate hole center as shown on Figure 2. Cut a "C" (Figure 2) diameter hole in dish or work table, a minimum of 2" from the inside front edge (operator's side). Hole can be cut with a "nibbler" after a knockout hole 1-1/2" diameter has been punched.
2. Lift cone to underside of table with cone flange overlapping all around (Figures 1 and 3).
3. Check alignment of cone spray fittings to be sure they are in the proper position. For 15" and 18" cones, position such that holes are located to right and left side of operator. (See Figure 7 for location.)
4. Tack weld, spot weld, bolt, or rivet flange of cone sink to underside of dish or work table. If bolted or riveted, smooth top surface and wash-solder around bolt or rivet heads and sand smooth.
5. Bead weld or solder and wash-solder all around where the table joins flange of cone sink for a clean, watertight, sanitary installation.
6. The cone sink has been designed with the step, as shown in Figure 3. In the welding or soldering operation required to assemble the cone sink to the dish or work table, every attempt should be made to keep the recessed, flat portion of the cone free of the welded or solder material. This will minimize the clean-up time required and provide a smooth, flat surface for any cover.

SPRAY-RINSE INSTALLATION

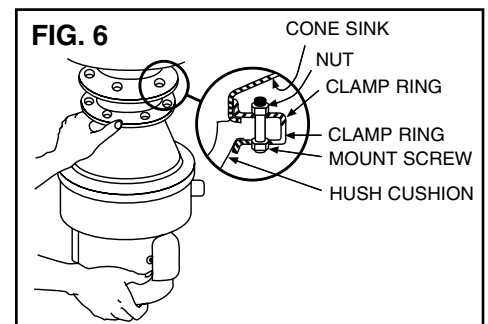
1. Locate center (Figures 1 and 2).
2. Drill 7/16" diameter hole through center.
3. Assemble 7/8" punch and tighten bolt head, as shown in Fig. 4, until the die pierces the stainless steel, leaving a clean opening of 7/8".
4. Place body valve and base in position, assemble washer and locknut as shown in Figure 5.
5. Attach vol-temp assembly to the projecting nipple, as shown in Figure 7.



MOUNTING DISPOSER

For models to be installed in sink with 3-1/2" outlet, see separate sheet enclosed for mounting instructions.

1. Clamp ring taped to top side of Hush Cushion® should be placed on underside of top flange of Hush Cushion®. Line up holes in clamp ring with holes in Hush Cushion® and insert six screws also contained in plastic bag. Insert through clamp ring and Hush Cushion® from the underside.
2. Line up holes in loose steel clamp ring on cone sink with screws in Hush Cushion® and raise disposer into position with screws matching holes in clamp ring in approximate position with plumbing drain outlet.
3. To manually raise the disposer into position, lift the unit by grasping the disposer with one hand from the bottom of the motor, and with the other hand around the Hush Cushion®, guide the unit into position, as shown in Figure 6.



MOUNTING DISPOSER – Continued (Refer to Figure 6)

- Attach a nut by two or three threads to screw and then attach another nut to screw on the opposite side of disposer. Finger-tighten two screws to hold unit in place. Attach remaining four nuts to screws and finger-tighten evenly.
- Check alignment with plumbing. Adjustment in alignment to plumbing can be made by rotating the unit carefully before tightening the nuts. To assist in rotating unit, raise the unit from the bottom of the motor to relieve weight.
- With the unit in its proper position, proceed to tighten six nuts evenly.

PLUMBING INSTALLATION

IMPORTANT! Before installing the Waste King disposer, the connecting waste line must be cleaned out to the connecting sewer main.

MAKE ALL PLUMBING AND ELECTRICAL CONNECTIONS ACCORDING TO LOCAL CODES.

Recessed thread fittings must be used throughout and all pipe ends should be carefully reamed.

FIG. 7 CONE ASSEMBLY (Typical Installation)

NOTE:

A globe valve, if used for metering flow, must be installed between solenoid valve and disposer. See metering valve Fig. 7. Any valve ahead of the solenoid valve must be opened and cause no restrictions.

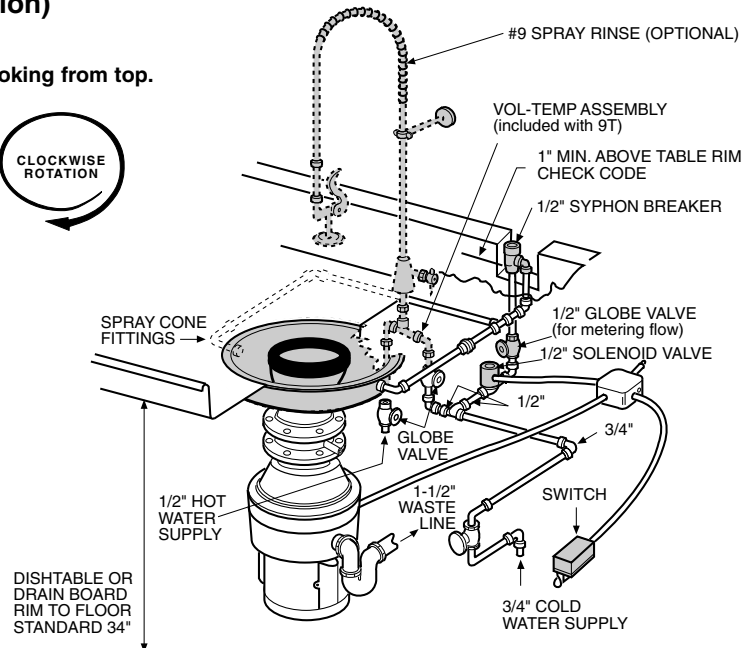
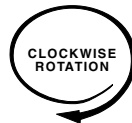
IMPORTANT! Do not test or run disposer without minimum water flow (see Plumbing Installation) as this will damage the seal and void the warranty.

**MINIMUM WATER FLOW RATE
5 GALLONS PER MINUTE WHILE IN USE**

NOTE:

BASE UNIT INCLUDES DISPOSER, MOUNTINGS, AND DRAIN OUTLET. OTHER ITEMS SHOWN IN GRAY IN FIGURE 7 ARE AVAILABLE IN EQUIPMENT GROUPS ORDERED SEPARATELY.

Looking from top.



- For spray-rinse with vol-temp, run a 1/2" hot water line to point indicated in Figure 7. Connect to spray-rinse globe valve, hot water side. At no time should hot water be connected directly to disposer or cone sink.
- Run a 1/2" cold water connection to point indicated in Figure 7.
- Install solenoid valve in line, in upright (coil side up) position as shown in Figure 7, with arrow on side pointing in direction of water flow.
- Install syphon breaker as in Figure 7. CHECK LOCAL CODE.
- Make connection to water inlet fitting of cone sink. See Figure 7.
- Make 1/2" cold water connection to spray-rinse globe valve, cold water side. This must be separate cold water line. Do not tee off of line to cone unless a 3/4" line is furnished to assembly location. See Figure 7.
- Assemble swirl spray(s) as shown in Figure 9. The assembly method for the swirl spray(s) is the same for all models. Other combinations of convertible and fixed swirl spray(s) are optional. The outlet hole of the fixed swirl spray should be horizontal to promote vortex action in the cone.
NOTE: The convertible spray should be easily adjustable by the operator to function as a swirl spray or as a dish-washing flume. Avoid excessive tightening of nut or lock nut.
- Connect 1/2" pipe to swirl spray as shown in Figure 7.
- The disposer is equipped with a drain outlet designed for a slip-joint connection to a conventional 1 1/2" trap (not furnished). Connect the trap with a branch waste line running directly into the sewage connection (Figure 7). **Do not connect into a grease trap.** A minimum slope of 1/4" per foot of run of waste line is recommended. Limit 1 1/2" drain line to a 15-foot run, free of turns. A minimum number of elbows, tees, etc., reduce the possibility of plumbing stoppages. If unusual sewer conditions exist (too many bends, main too long, low water pressure resulting in low flow rate*, or if a high percentage of food waste is leafy and/or paper), the use of a time delay relay and water injector into sewer is suggested. Under such conditions, additionally, a larger size cold water line, larger solenoid valves and larger syphon breakers should be used to overcome potential stoppages. (Parts and data available from factory.)

*Minimum cold water flow rate used with Models 500 through 1500: 5 gallons per minute or enough to push waste through pipeline into the sewer.

TIP: Water volume adjustment: The top of the swirling water should occasionally crest to the body of the swirl water inlet.

- To use the optional supplementary water connection, see Figure 8.

FIG. 8 OPTIONAL SUPPLEMENTARY WATER CONNECTION

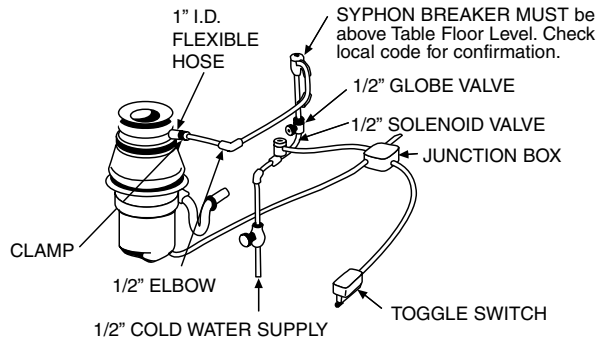
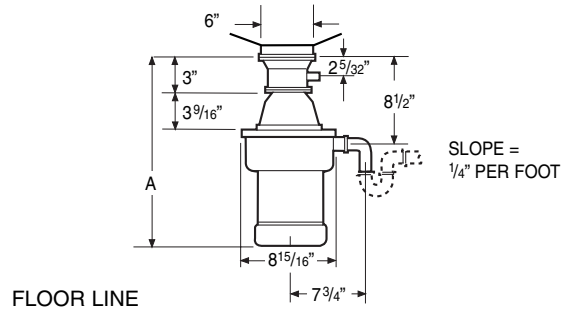


FIG. 10 INSTALLATION DIMENSIONS AND DRAINLINE CONNECTIONS



A {	500-1	= 18 7/16	1250-1	= 19 11/16
	750-1	= 18 15/16	1250-3	= 18 15/16
	750-3	= 18 7/16	1500-1	= 19 11/16
	1000-1	= 18 15/16	1500-3	= 18 15/16
	1000-3	= 18 7/16		

FIG. 9 SWIRL SPRAY(S) ASSEMBLY

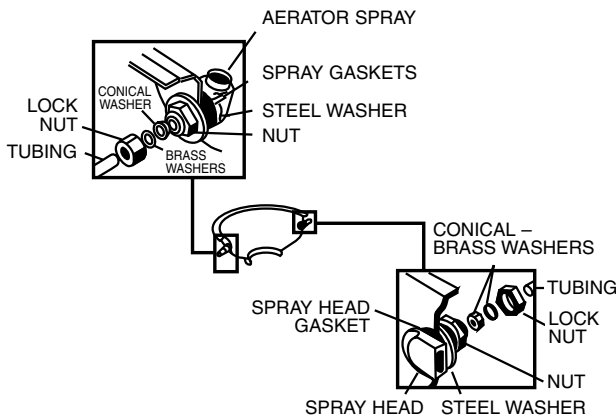
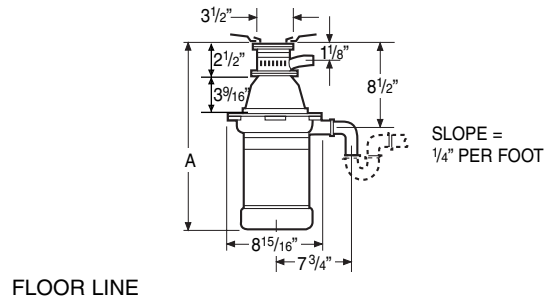


FIG. 11 SINK MOUNTED MODELS (SM)



A {	500-1SM	= 17 11/16	750-1SM	= 18 3/16
			750-3SM	= 17 11/16

ELECTRICAL CONNECTIONS

All electrical connections must be made in accordance with local wiring codes. Flexible BX cable should be used in making electrical connections to motor to avoid transmission of noise. Be careful not to pinch wires when replacing terminal box.

IMPORTANT! THE WASTE KING COMMERCIAL DISPOSER MUST BE CAREFULLY AND PERMANENTLY GROUNDED. GROUND SCREW IS PROVIDED.

Overload Protection: Reset button overload provided on all standard models.

IMPORTANT NOTE: Disposer motor phase, single or three phase, must be the same as power source and line phase. Disposer wiring connection voltage must be the same as the voltage of power source.

ALL SINGLE PHASE MOTORS

3-Pole, 20 Amp., heavy duty switch encased in waterproof receptacle. Two poles of switch control motor and third pole controls solenoid, isolating the two circuits to prevent solenoid kickback when switch is turned off. Refer to Figures 12 and 13 for recommended wiring installation.

SINGLE PHASE 1/2 HP

Factory Wired for 110-120-V A.C. unless otherwise specified. To connect for 220-240-V A.C. refer to information on inside face of terminal box cover.

SINGLE PHASE 3/4 HP, 1HP, 1 1/4 HP, and 1 1/2 HP

Factory Wired for 220-240 volts. To reconnect for 110-120 volts refer to information on inside face of terminal box cover.

NOTE: After installation, be sure turntable rotates clockwise.

CAUTION: When making field changes for voltage, be certain to change all other related electrical circuits such as solenoid valves, relays, etc.

ALL THREE PHASE MOTORS

3-Pole, 20 Amp., heavy duty switch encased in waterproof receptacle. Tap off any two leads for the solenoid valve. Refer to Fig. 14 and 15 for typical wiring installation.

THREE PHASE 3/4 HP, 1HP, 1 1/4 HP, and 1 1/2 HP

All three phase motors are factory wired for 208-240-V A.C. **AFTER INSTALLATION BE SURE TURNABLE ROTATES CLOCKWISE.** If not, interchange any two of the three wires. To reconnect for 460 volts, refer to information shown on inside face of terminal box cover.

FIG. 12 SINGLE PHASE

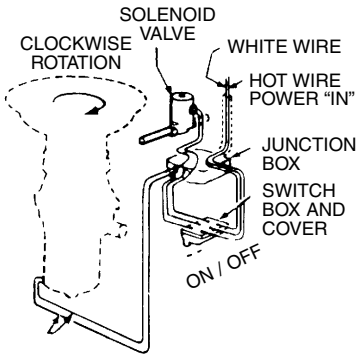
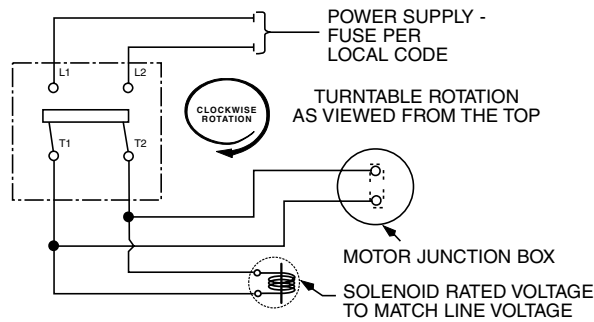


FIG. 13 WIRING FOR SINGLE PHASE UNITS WITH MANUAL SWITCH



MANUAL SWITCH		
MODEL	VOLTS	WK PART NO.
500 – 1500	110-120	2420
	220-240	

NOTES:

1. Motor wired at Factory for 220-240 volts except for 1/2 HP. For 110-120 volts, connect motor wires as shown inside of motor junction box cover.

FIG. 14 THREE PHASE

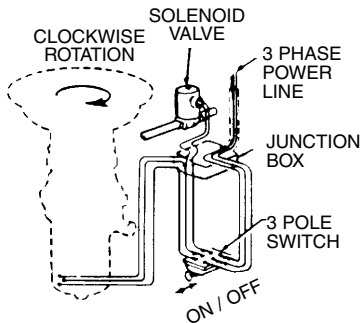
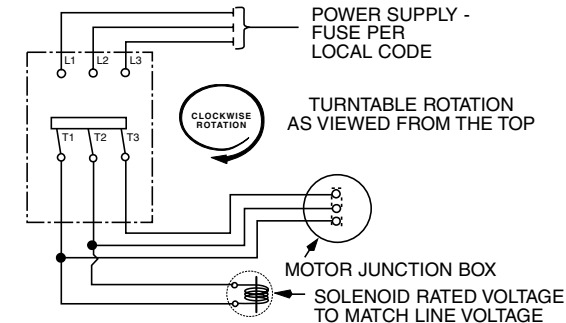


FIG. 15 WIRING FOR THREE PHASE UNITS WITH MANUAL SWITCH

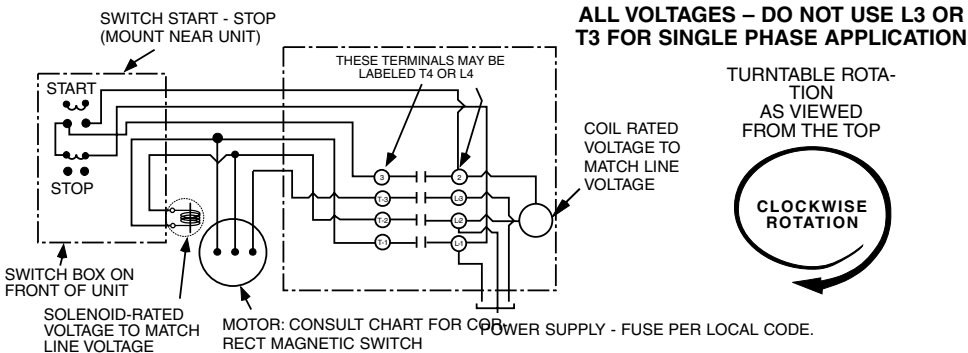


MANUAL SWITCH		
MODEL	VOLTS	WK PART NO.
500 – 1500	208-240	2420
	460	

NOTES:

1. Motor wired at Factory for 208-240 volts. For 460 volts, connect motor wires as shown inside of motor junction box cover.
2. Interchange T1 and T3 to reverse rotation.

FIG. 16 WIRING FOR THREE PHASE UNITS WITH MAGNETIC SWITCH

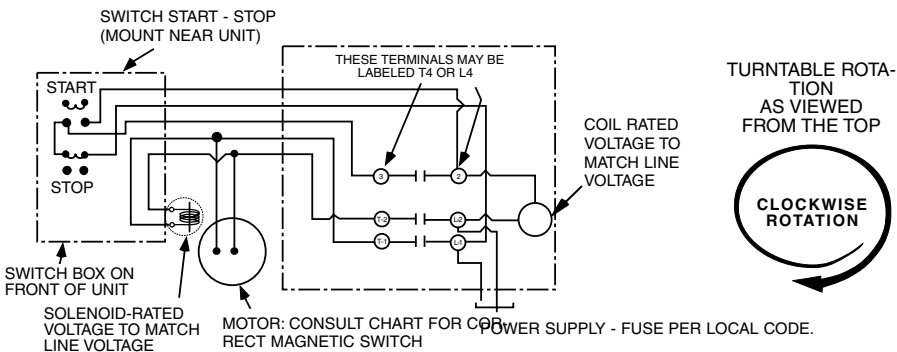


MAGNETIC SWITCH		
MODEL	VOLTS	WK PART NO.
750 – 1500	208-240	2416
	460	2417

NOTES:

1. Motor wired at Factory for 208-240 volts. For 460 volts, connect motor wires as shown inside of motor junction box cover.
2. Interchange T1 and T3 to reverse rotation.
3. No heaters used with magnetic switch.

FIG. 17 WIRING FOR SINGLE PHASE UNITS WITH MAGNETIC SWITCH



MAGNETIC SWITCH		
MODEL	VOLTS	WK PART NO.
500 – 1500	110-120	2414
	220-240	2415

NOTES:

1. Motor wired at Factory for 220-240 volts except for 1/2 HP. For 110-120 volts, connect motor wires as shown inside of motor junction box cover.
2. No heaters used with magnetic switch

TESTING – IMPORTANT! Do not test or run disposer dry as this will damage the seal and void the warranty.

1. Test assembly for leaks: a. where cone joins table b. where disposer joins cone c. all piping connections d. "Swirl Spray" fittings
2. After plumbing and electrical connections are made, turn on disposer to be sure all parts are in working order and that the disposer turntable rotates clockwise when viewed from above. Open valve in vacuum breaker line, and using valves in plumbing assembly (Fig.7), adjust so that water swirls around just below the rim of the cone sink. Leave valves in these positions. These combinations provide a flow of approximately 8 gallons of water per minute.
3. Replace cover, retest for leaks and turn unit off.
4. Unit is now ready for operation.