



Installation Guide

INS10534

Garbage Disposal Air Switch Controller

Please Contact Moen First

For Installation Help, Missing or
Replacement Parts

(USA)

1-800-BUY-MOEN (1-800-289-6636)

WWW.MOEN.COM

(Mexico)

011 52 (800) 718-4345

WWW.MOEN.COM.MX

(Canada)

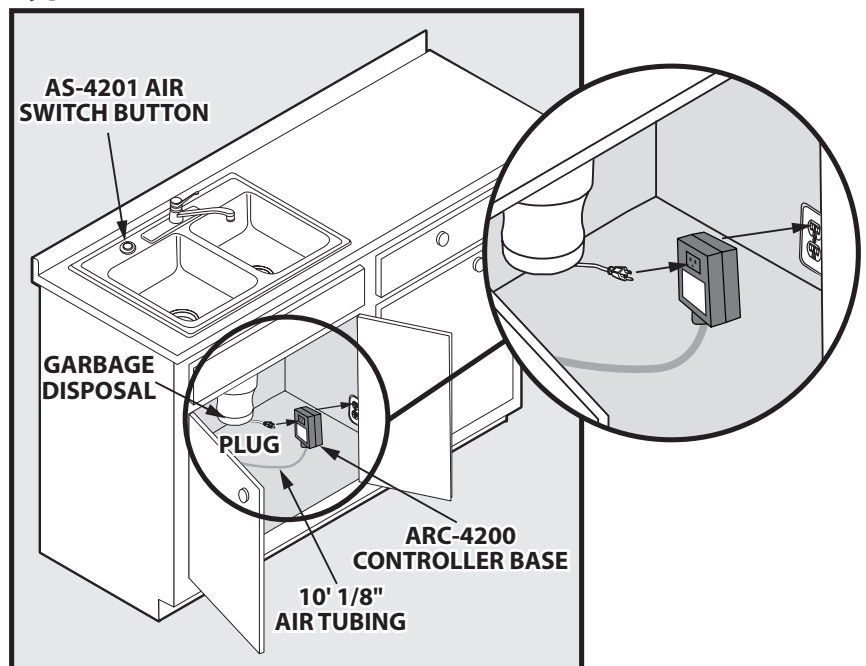
1-800-465-6130

WWW.MOEN.CA



Model: ARC-4200

Typical Installation:



Garbage Disposal and Air Switch Button Sold Separately

Air Switch Buttons: AS-4201-CH, AS-4201-SN, AS-4201-BR, AS-4201-WH,
AS-4201-AL, AS401-BIS

Safety Instructions:

1. This controller is rated for 120V/12 AMPS (1 HP) maximum and must be installed according to national, state, and local electrical code requirements. Consult with a local code professional for the appropriate requirements and additional safety information.
2. DANGER - Do not exceed the electrical rating of the controller or the electrical supply.
3. DANGER - To reduce the risk of injury, do not permit children to use this product unless they are closely supervised at all times.
4. The controller must be oriented to provide drainage of electrical component compartment.

Description:

The ARC-4200 consists of easy to install components for air actuated on/off control for use with food waste disposers rated up to 120V/12 AMPS (1 HP) maximum. Simply plug the ARC-4200 control module into any standard electrical outlet then plug the appliance into the receptacle provided in the control module. The appliance can be activated and deactivated by depressing an air button mounted up to 10 feet away.

| | | |
|----------|---|---|
| 1 | Attach Air Switch Button | <ul style="list-style-type: none"> Place the button inside Place the ring over the button. Push the sides of the ring until it locks with the mounting shank. Reverse steps to change button if new finish is desired. |
| 2 | Mount Push Button | <ul style="list-style-type: none"> Place the Mounting Shank directly through a standard sink hole or through the countertop. Requires 1-3/8" diameter hole. Tighten the plastic nut completely to the counter to ensure a proper seal. |
| 3 | Attach Air Tube | <ul style="list-style-type: none"> Attach air tube between the Mounting Shank and the control module. Secure tightly. |
| 4 | Plug in Controller Base | <ul style="list-style-type: none"> Plug controller base into a grounded 120V household wall receptacle. |
| 5 | Connect Controller Base and Disposal | <div style="border: 1px solid black; padding: 5px; margin-bottom: 10px;"> <p style="text-align: center;">CAUTION Disposal may start when Controller Base is plugged in.</p> </div> <ul style="list-style-type: none"> Plug disposal cord into controller base. Press and release the air switch button to turn the disposal on. Press and release the button again to turn the disposal off. Test on/off function prior to adding waste to disposal. |

Warranty:

Moen products have been manufactured under the highest standards of quality and workmanship. Moen warrants to the original consumer purchaser all parts of this product to be free from defects in material and workmanship during normal use, for (1) year from date of purchase. A replacement for any defective part will be supplied free of charge for installation by you. Defects or damage caused by the use of other than genuine Moen parts are not covered by this warranty. This warranty shall be effective from the date of purchase as shown on the purchaser's receipt. Some states do not allow limitations on how long an implied warranty lasts, so the above limitation may not apply to you.

This warranty is valid for the original purchaser only and excludes product damage due to installation error, product abuse, or product misuse, whether performed by a contractor, service company, or yourself. Moen will not be responsible for labor charges, and/or damage incurred in installation, repair or replacement, nor for incidental or consequential damages.

Some states, provinces and nations do not allow the exclusion or limitation of incidental or consequential damages so the above limitations or exclusions may not apply to you. This warranty gives you specific legal rights and you may also have other rights which may vary from state to state, province to province, and nation to nation.

Moen Incorporated will advise you of the procedure to follow in making warranty claims. Simply write to Moen explaining the defect and include proof of purchase and your name, address and telephone number. The address is: Moen Incorporated, 25300 Al Moen Drive, North Olmsted, OH 44070-8022, or call our toll-free consumer Helpline: 1-800-289-6636.

In Canada, write to Moen, 2816 Bristol Circle, Oakville, Ontario L6H5S7 or call: Toronto: 905-829-3400; Rest of Canada: 1-800-465-6130, and ask for Product Service.