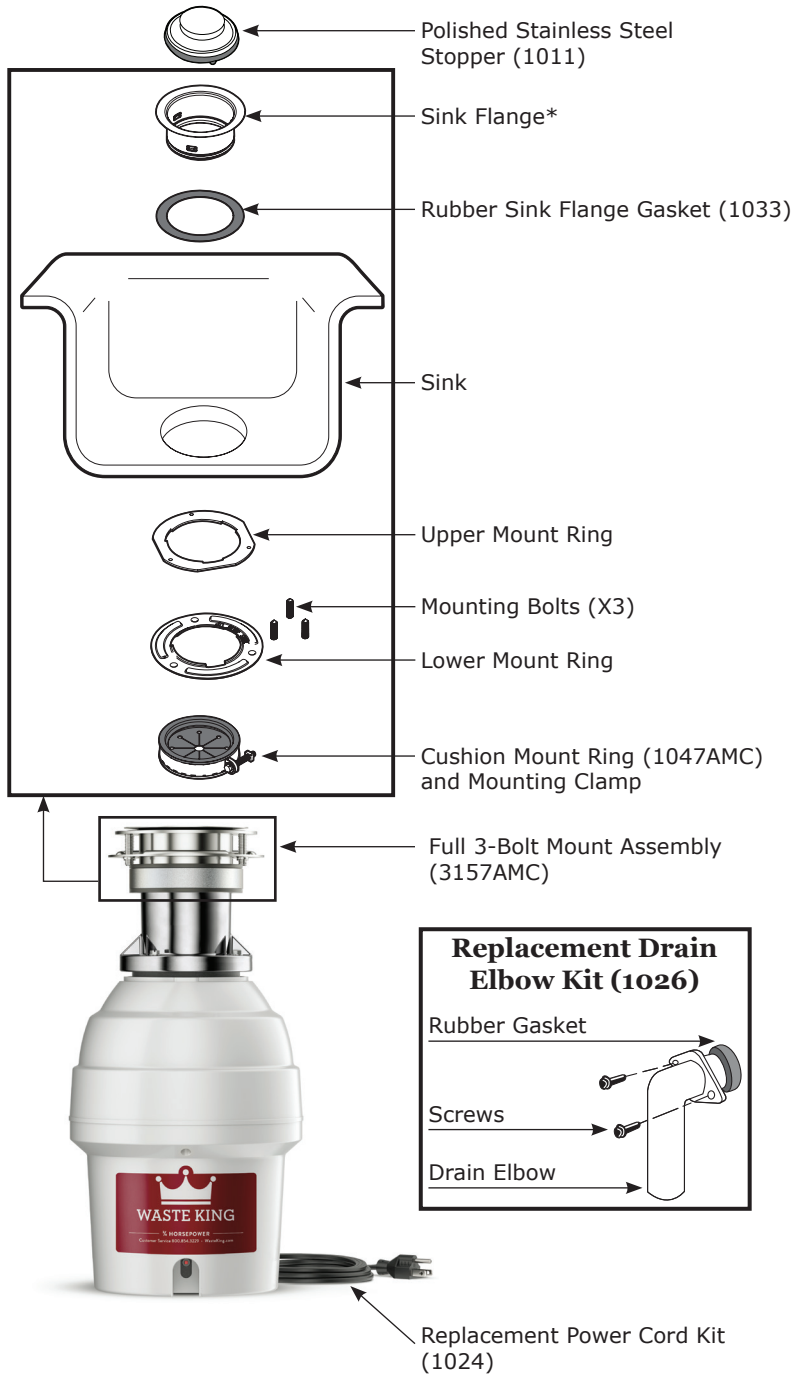


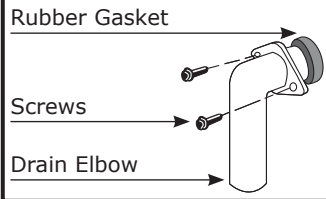
# Illustrated Parts for 9900TC

## WASTE KING

### Included Parts



### Replacement Drain Elbow Kit (1026)



### Other Available Accessories



#### Air Switch Remote Controller

- Installs into existing sink hole (1-1/4") to operate disposer with plunger air switch.
- Perfect application for island counter tops or where electrical switch is unavailable.
- Plug-in: No wiring connections (continuously powered outlet required).

#### Air Switch Base Unit

Air Switch Remote Controller	ARC-4200
<b>Additional Air Switch Button Finish Options:</b>	
Chrome	AS-4201-CH
Satin Nickel	AS-4201-SN
Polished Brass	AS-4201-BR
White	AS-4201-WH
Almond	AS-4201-AL
Biscuit	AS-4201-BIS



#### Extended 3-Bolt Sink Flange\* (accommodates sinks between 1/2" and 1-3/8")

Polished Stainless Steel	3140AMC
Satin Nickel	3141AMC
Brass	3142AMC



#### Decorative 3-Bolt Flange and Stopper\*

Polished Stainless Steel	3150AMC
Brass	3151AMC
White	3152AMC
Almond	3153AMC
Satin Nickel	3154AMC
Oil Rubbed Bronze	3156AMC

Dishwasher Connector Kit - (connects 1-1/4", 1" and 3/4" outside diameter dishwasher drain hoses to the dishwasher inlet)



**1023**

Unjamming Wrench



**1037**

Disposal purchase comes with all Included Parts, Other Available Accessories can be purchased separately

FOR MORE INFORMATION CALL: 1-800-854-3229  
WasteKing.com