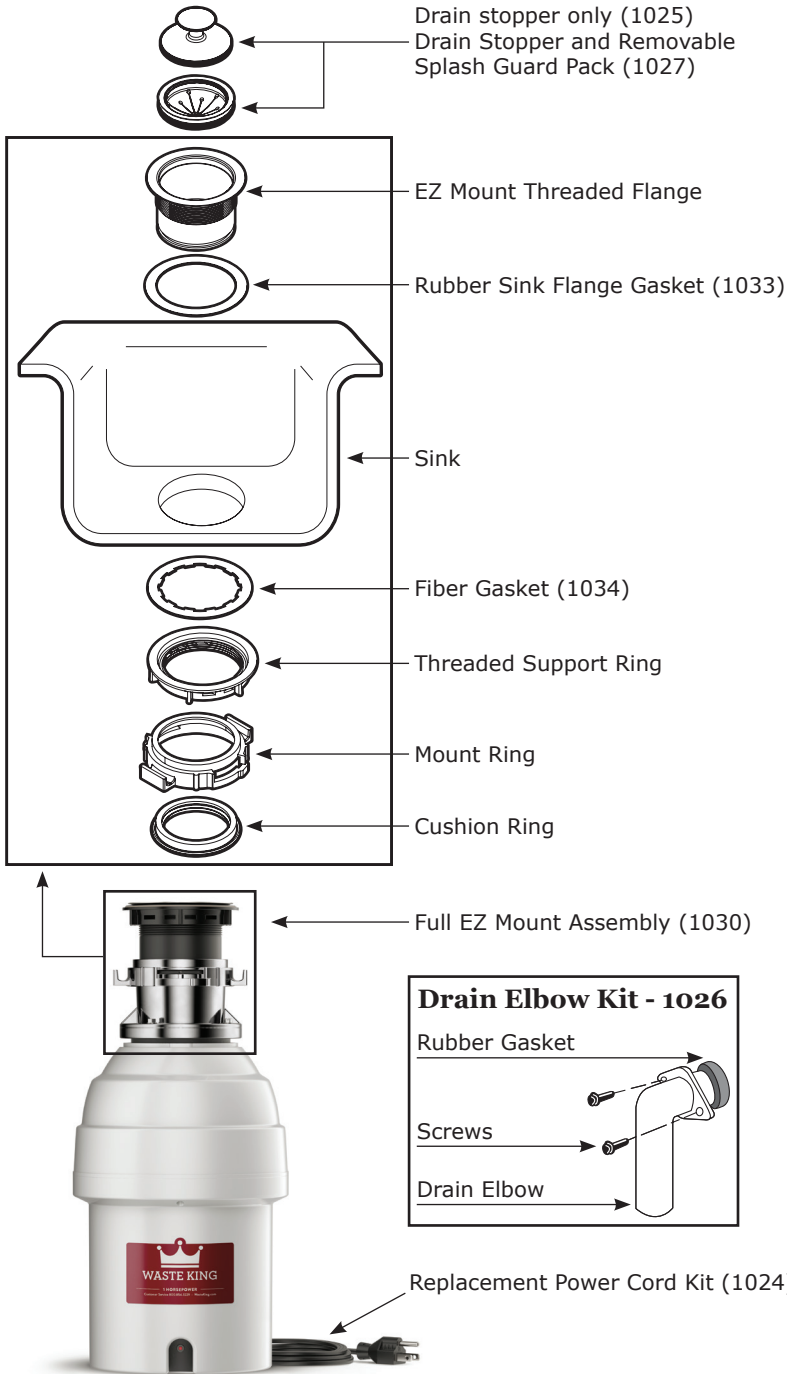
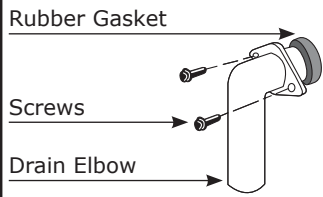


# Illustrated Parts for L-8000TC

## WASTE KING



### Drain Elbow Kit - 1026



### Other Available Accessories



#### Air Switch Remote Controller

- Installs into existing sink hole to operate disposer with plunger air switch.
- Perfect application for island countertops or where electrical switch is unavailable.
- No wiring connections or code restrictions.

#### Air Switch Base Unit

Air Switch Remote Controller	ARC-4200
<b>Additional Air Switch Button Finish Options:</b>	
Chrome	AS-4201-CH
Satin Nickel	AS-4201-SN
Polished Brass	AS-4201-BR
White	AS-4201-WH
Almond	AS-4201-AL
Biscuit	AS-4201-BIS

Dishwasher Connector Kit -  
 (connects 1-1/4", 1" and 3/4" outside diameter  
 dishwasher drain hoses to the dishwasher inlet)



**1023**

Unjamming Wrench



**1037**

Disposal purchase comes with all Included Parts,  
 Other Available Accessories can be purchased separately

FOR MORE INFORMATION CALL: 1-800-854-3229  
 WasteKing.com