

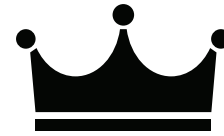
Specifications

Disposal Description

- EZ Mount twist-and-lock sink flange for fast and easy installation
- 1 HP permanent magnet motor delivers 2800 rpms of grinding power and reduces jams
- Lined with insulation to reduce sound
- Pre-installed power cord for easy plug-in install, no hardwiring or separate purchase required
- Stainless steel grinding components
- Reinforced polymer grind chamber resists corrosion and extends disposal life
- Batch feed disposal is activated by the drain cover, providing a safer grind
- Compact, lightweight design saves space
- Safe to use with properly sized septic tanks
- Front-mounted reset button

Included Components

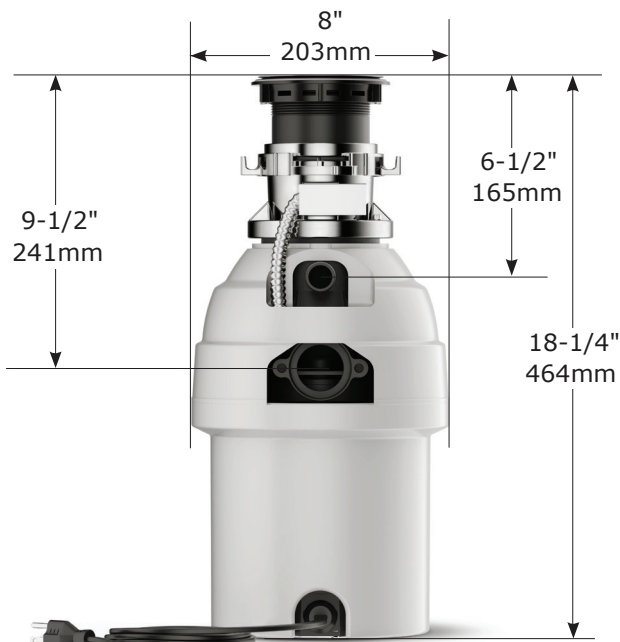
- Waste King L-8000TC EZ Mount Disposal Unit
- Pre-installed power cord
- Celcon sink flange and plastic drain stopper/disposal actuator
- Drain elbow and EZ-Mount mounting assembly



WASTE KING Model L-8000TC



Critical Dimensions



Weight 13.4 lbs.

Ten Year Limited Warranty
If the disposal develops a material or mechanical defect during the warranty period, Waste King will replace it free of charge.

Specification Detail	
Motor Horsepower	1 H.P.
R.P.M.	2800
Mount	EZ Mount
Sound Insulation	Yes
Warranty	Ten Year Limited
Voltage,HZ	115, 60
Current-Amps	7.0
Power Cord	Pre-Installed
Motor Type	Permanent Magnet
On/Off Control	Stopper Controlled
Drain Connection Size	1-1/2 inch drainpipe
Dishwasher Compatibility	7/8 inch rubber dishwasher drain hose
Maximum Sink Thickness	1/2 inch
Sink Flange Material	Celcon
Sink Flange Finish	Stainless Steel
Splash Guard	No
Feed	Batch
Internal Grind Component Material	Stainless Steel
Grind Chamber Material	Reinforced Polymer
Overload Protector	Manual Reset Type

FOR MORE INFORMATION CALL: **1-800-854-3229**
WasteKing.com